

**OT3120bh: 200MHz General Purpose Clock Multiplier PLL**

The OT3120bh is a flexible clock multiplier PLL function with a wide range of input and output frequencies designed for a single or double poly 0.35µ digital CMOS process.

**Features**

- ❖ Wide range N, M, P integer dividers.
- ❖ 15MHz – 120MHz output frequency range.
- ❖ Compare frequency range 2MHz – 32MHz.
- ❖ 4pS RMS jitter at 100MHz.
- ❖ Lock-detect function.
- ❖ Bypass function.
- ❖ Well defined startup behavior.
- ❖ -40°C to 140°C temperature operation.
- ❖ Available divider selection program.
- ❖ Small cell area: 0.15mm<sup>2</sup> in 0.35µ CMOS.
- ❖ 6mW typical power dissipation at 3.3V.
- ❖ 3.0V - 3.6V analog and digital supplies.
- ❖ 0.35µ single poly process compatibility.

**Typical Applications**

- ❖ Crystal frequency to device internal clock multiplication.
- ❖ Communication cores.
- ❖ Bus Interface cores.

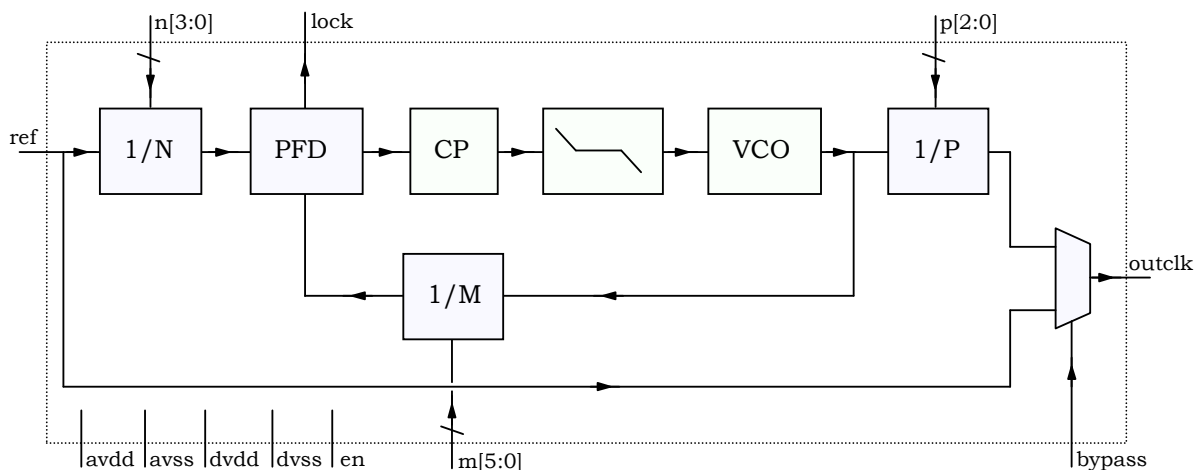
**Deliverables**

- ❖ Verilog model.
- ❖ LEF.
- ❖ Spice netlist for LVS.
- ❖ Flat GDS.
- ❖ Timing files.
- ❖ Integration notes.
- ❖ Production test notes.

**Service**

- ❖ 4 Weeks lead time for process ports to similar technologies.
- ❖ Available support for manufacturing, test, and characterization.
- ❖ Simulation results for specific PLL ratios.
- ❖ Available on-site translation to your design style.

*Multi-use pricing: \$9,900*



Block Diagram

---

## About Obsidian Technologies IP

### Full Service

- ❖ Early delivery of front-end models.
- ❖ On-site support available, including transfer of source to your design environment.
- ❖ Available on-site design review.
- ❖ On-site training for source licensing.
- ❖ Option to take ip through your own quality and review processes.
- ❖ Characterization support.
- ❖ Fast and flexible legal. We typically accept a your standard bi-directional NDA. Simple plain-language contracts.

### Customization

Naturally! All ip supplied by Obsidian Technology may be customized to specific needs. We also provide ip to customer supplied specifications.

### Price Leader

We will not be undersold!

### Simple License Options

#### IP Multi-Use Package

- ❖ Never undersold value pricing.
- ❖ NO Royalties.
- ❖ No restrictions on number of uses.
- ❖ Support included.
- ❖ Available on-site consulting and design integration training / support.
- ❖ Available on-site detailed design review.

#### Source Ownership

- ❖ Full source ownership and required documentation and training to allow modification, derivation, porting.
- ❖ Hierarchical gds layout, schematic, netlist, integration notes, data sheet, design notes, test benches, layer map.
- ❖ Available on site consulting and design integration training / support / porting to your system.
- ❖ NO Royalties.